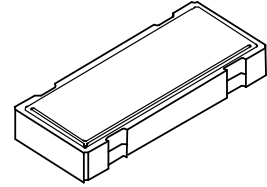




# Pletronics, Inc.

19013 36th Ave. W, Suite H • Lynnwood, WA 98036 USA  
Manufacturer of High Quality Frequency Control Products

## SM23C Crystal



● 4 Pad 11.6x5.5mm Surface Mount Crystal (Ceramic Cover /Ceramic Base)

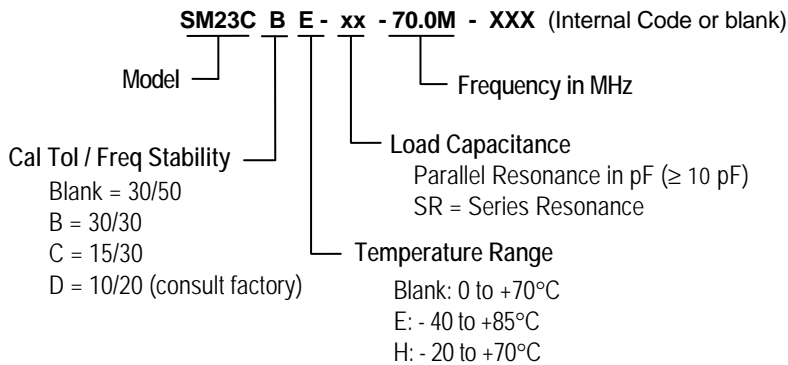
**3.570 MHz – 120.000 MHz**

### Standard Specifications

Calibration Frequency Tolerance at 25°C	± 30 PPM is standard, tighter tolerances available
Operating Temperature Range (OTR)	0 to +70°C is standard, but can be extended to -40 to +85°C
Frequency Stability (FS) over OTR	± 50 PPM is standard, tighter tolerances available
Drive Level	100 mW is standard, customer may specify
Aging at 25°C	± 5 PPM maximum

### Part Numbering Guide

Portions of the part number that appear after the frequency may not be marked on part (C of C provided)



### ESR Values

Oscillation Mode	Frequency Range (MHz)	Maximum ESR (Ohms)
Fundamental AT Cut	3.570 – 3.999	200
	4.000 – 5.999	150
	6.000 – 8.999	100
	9.000 – 12.999	60
	13.000 – 27.000	40
3rd Overtone AT Cut	27.001 – 120.000	80

Consult factory for lower ESR

Consult factory for available frequencies and specs.

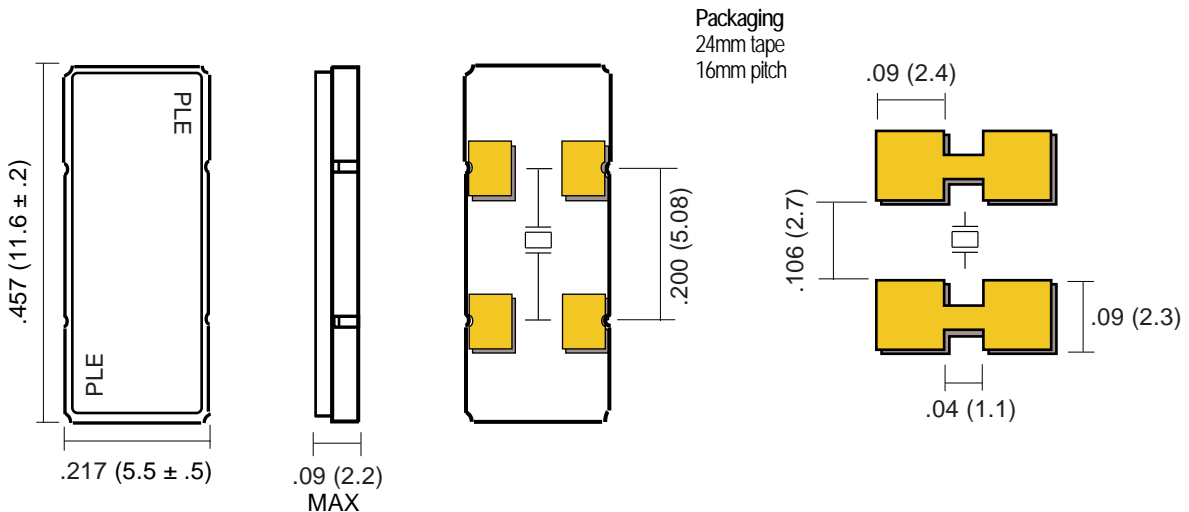
Not all options available for all frequencies. A special part number may be assigned.

### Mechanical: inches (mm)

not to scale

### Solder Pads

Due to part size and factory abilities, part marking may vary from lot to lot and may contain our part number or an internal code.



Sep 2003