

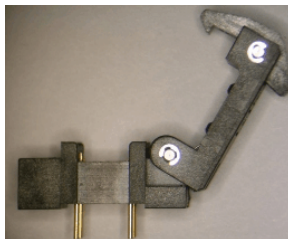
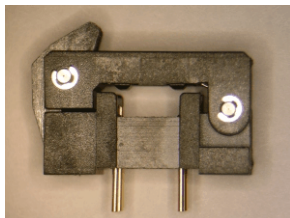
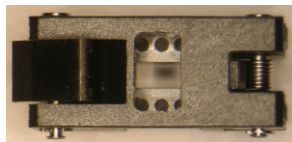
# Test Sockets for Pletronics Crystals and Oscillators

Pletronics has sockets available to hold the SMD crystals and oscillators for testing.

**Model:** SM77socket-A

**For Pletronics Devices:** SM77xxH  
SM77xxM  
SM77xxG  
SM77xxD

The socket is a “clam shell” device that holds the device against pogo pins. See the next page for socket details:



Do note that the sockets will degrade the high frequency waveform performance of the device, the sockets do have a finite lead length that adds inductance in series with the device. The devices being tested do perform better when mounted on a well-designed PCB.

## Socket care:

- Excessive high solder temperatures on the pogo pins barrels will degrade the internal springs.
- The sockets are rated for use to 105°C, higher temperature sockets are available.



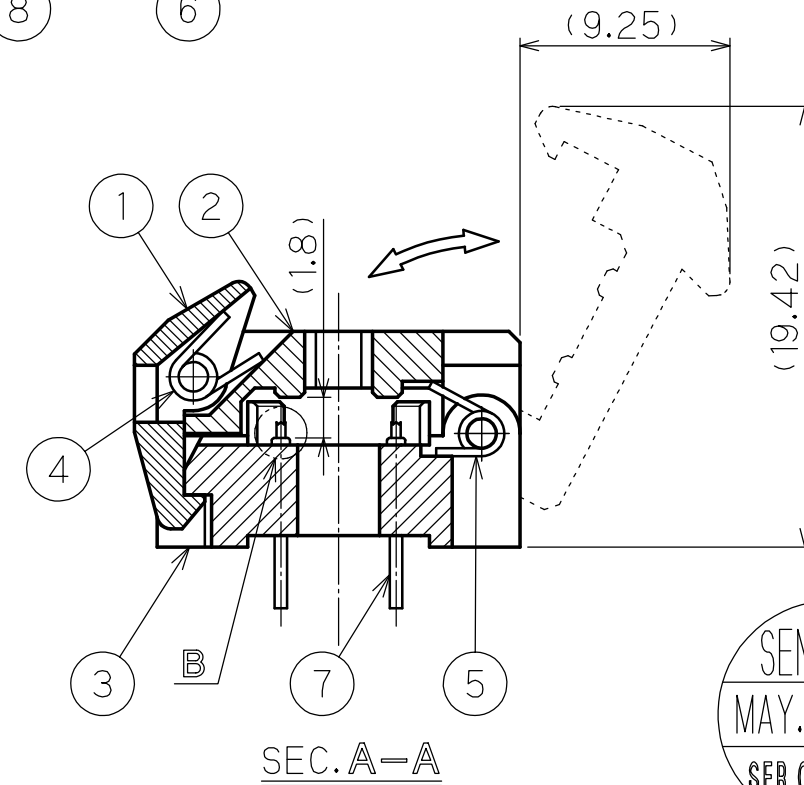
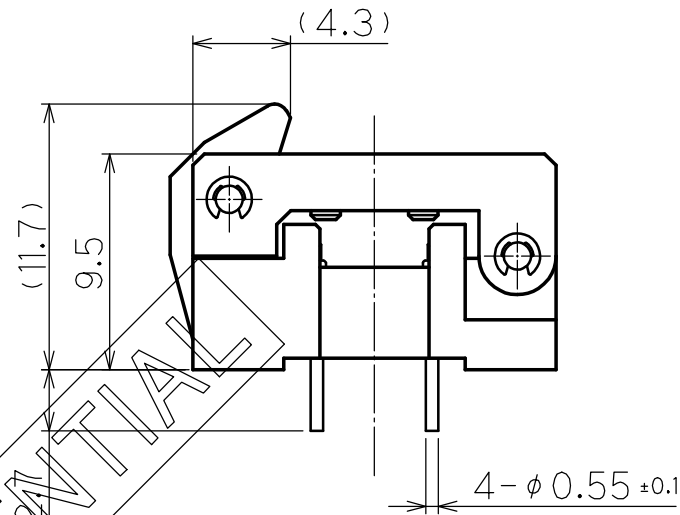
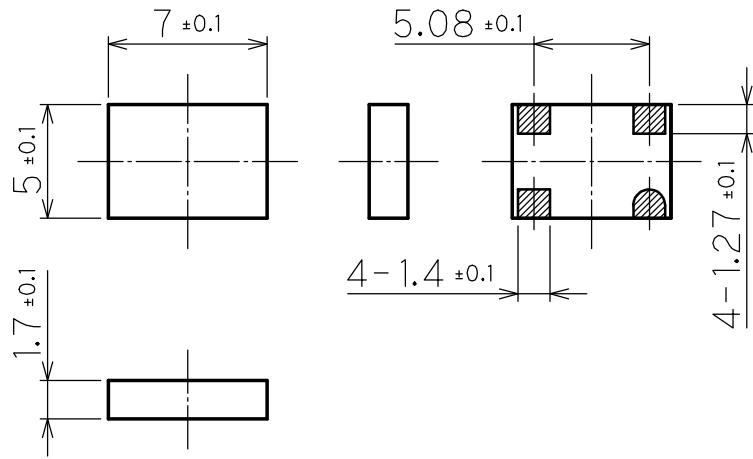
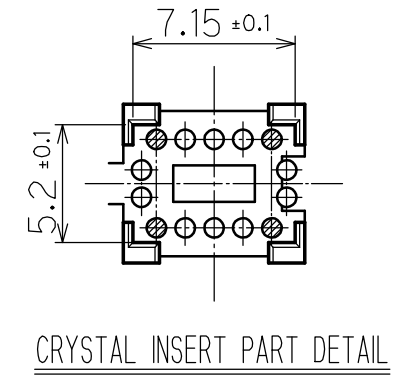
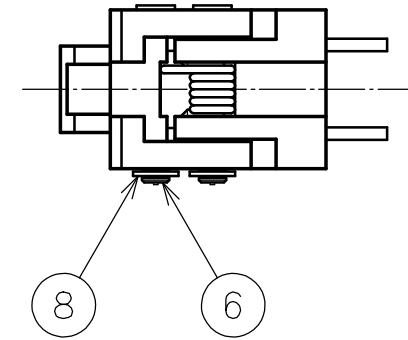
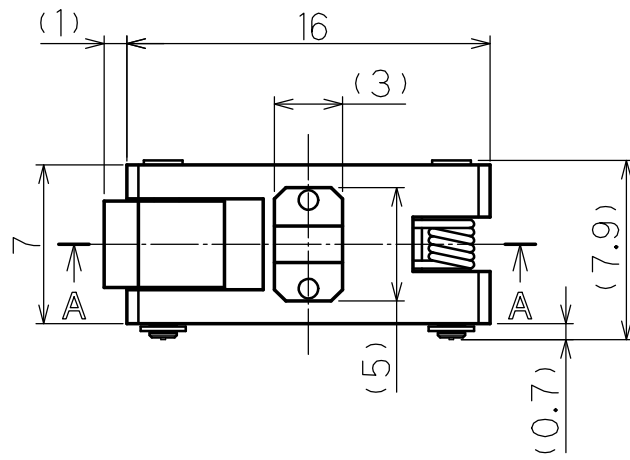
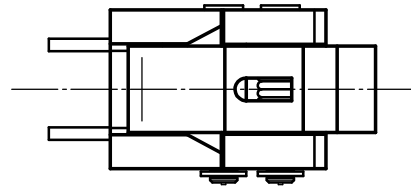
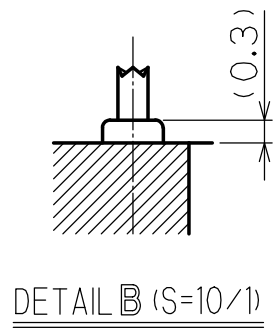
## Pletronics, Inc.

19013 36<sup>th</sup> Ave. West PO Box 2607 Lynnwood, Washington 98036 U.S.A.  
T: 1-425-776-1880 F: 1-425-776-2760 E: ple-sales@pletronics.com  
www.pletronics.com

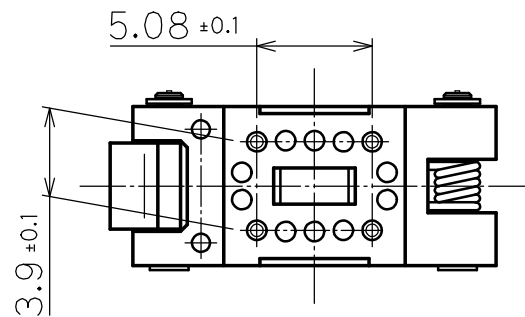
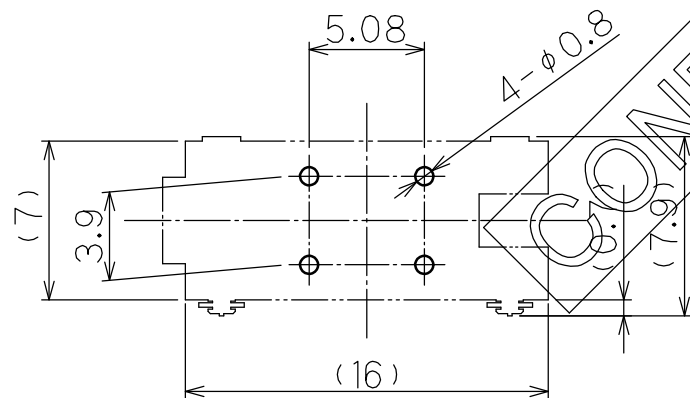
January 2008

Confirmed by \_\_\_\_\_  
 Authorized Signature \_\_\_\_\_

DRW No 0  
 FILE No AM0393-110R-E



SEND OUT  
 MAY.20.2002  
 S.E.R. CORPORATION



8	E-RING	2	SUS	Φ0.8
7	PROBE	4	Au PLATING	MS0125-60
6	PIN D	2	SUS	PS0255-00
5	SPRING F1	1	SUS	SP0097-10
4	SPRING E1	1	SUS	SP0096-10
3	HOUSING	1	PPS UL94V-0	HM0335-H
2	COVER	1	PPS UL94V-0	HM0202-C
1	LATCH	1	PPS UL94V-0	HM0149-R
No. COMPONENTS		Q' TY	MATERIAL	TYPE No.

No	DATE	REVISION	DRW	APP

MATERIAL	FINISH	REMARK	DRAW	CHK	APP	P/N	AM0393-110R
			AIZAWA	IRIE	ENDO	TITLE	QC-7X5-1.7-04P-00S
			Feb.200	Feb.200	Feb.200	S.E.R. CORPORATION	

UNIT : mm 3RD A.P SCALE 3 / 1 GENERAL DIFFERENCE : 0.5