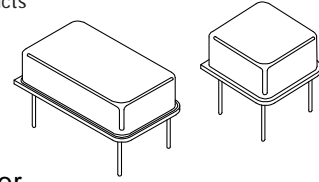




Pletronics, Inc.

19013 36th Ave. W, Suite H • Lynnwood, WA 98036 USA
 Manufacturer of High Quality Frequency Control Products



VC1 VCXO Series

- Full Size or Half Size Metal Thru-Hole Voltage Controlled Xtal Oscillator
- CMOS/ TTL Compatible

2.00 MHz – 160.00 MHz

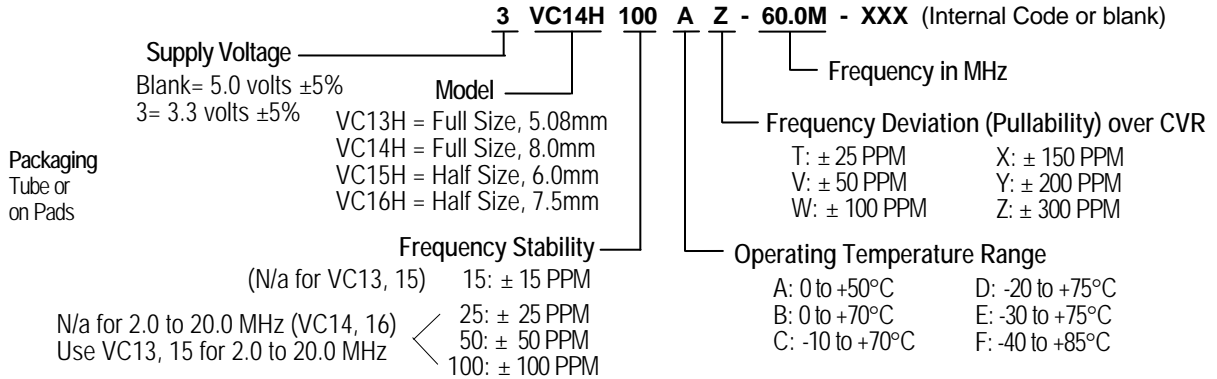
Standard Specifications

Model	VC13 & VC15	VC14 & VC16
Frequency Range	2.00 to 20.00 MHz	2.00 to 20.00 MHz 20.001 to 160.00 MHz
Overall Frequency Stability	± 25, 50, 100 PPM	± 15 PPM only ± 15, 25, 50, 100 PPM over OTR
Operating Temperature Range (OTR)	0 to +70°C is standard, but can be extended to -40 to +85°C for certain frequencies	
Supply Voltage (Vcc)	5.0 volts and 3.3 volts available	
Output Load	Standard load is 15pF maximum, see Test Circuit 7 (consult factory for heavier loads)	
Control Voltage Range (CVR)	0.5 to 4.5 volts for 5.0 volt Supply; 0.0 to 3.3 volts for 3.3 volt Supply	
Pullability over CVR	± 25, 50, 100, 150, 200 PPM. Consult factory for ± 300 PPM.	
Linearity	± 10% (Consult factory for ± 5%)	

Frequency Range (MHz)	Supply Current I _{cc} (mA)		Rise and Fall Time Tr & Tf (nS)	
	Typical	Maximum	Typical	Maximum
2.000 – 20.000	10	15	3.5	5.0
20.001 – 30.000	20	25	3.0	4.5
30.001 – 50.000	25	30	3.0	4.0
50.001 – 60.000	30	35	2.5	3.5
60.001 – 160.000	TBD	TBD	TBD	TBD

Part Numbering Guide

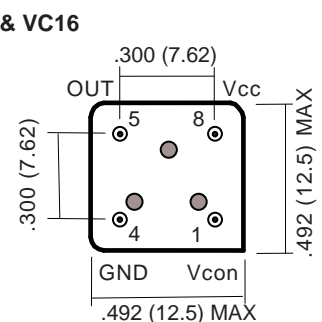
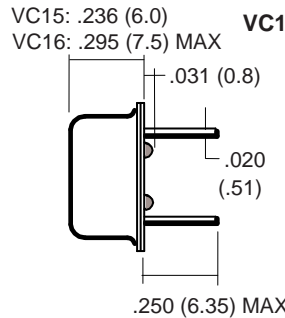
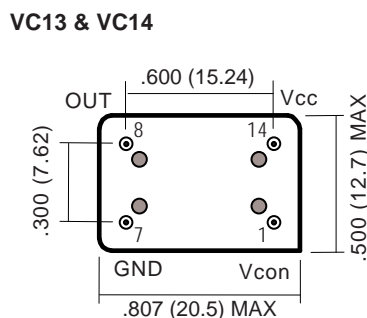
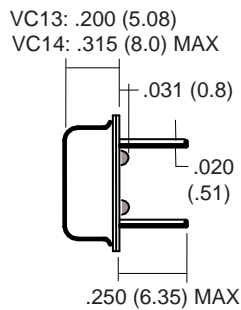
Portions of the part number that appear after the frequency may not be marked on part (C of C provided)



Consult factory for available frequencies and specs. Not all options available for all frequencies. A special part number may be assigned. Frequency Stability is inclusive of frequency shifts due to calibration, temperature, supply voltage, shock, vibration and load

Mechanical: inches (mm) not to scale

Due to part size and factory abilities, part marking may vary from lot to lot and may contain our part number or an internal code.



Jan 2004